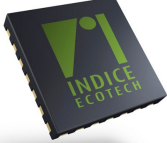
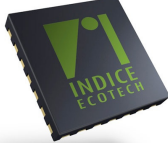




Indice Ecotech Control Chip Specification

Product	Mains LED control chip	MR16 LED control chip
Image		
Typical power consumption	<33mW	<33mW
Installation requirements ¹	No special requirements, compatible with phase cut dimmers	No special requirements, compatible with magnetic & electronic transformers
Dimming compatibility ¹	Compatible with most existing dimmers	Compatible with most existing dimmers
Operating temperature range ²	-40 to +85 °C	-40 to +85 °C
Storage temperature range	-40 to +85 °C	-40 to +85 °C
Active temperature control	<ul style="list-style-type: none"> • Programmable from 60 to 92 °C and adjusts power level to maintain target temperature • Safe shutdown at 8 °C above the programmed temperature 	<ul style="list-style-type: none"> • Programmable from 60 to 92 °C and adjusts power level to maintain target temperature • Safe shutdown at 8 °C above the programmed temperature
Typical system efficiency ²	~85%	~85%
Rated system input source frequency	40-140Hz	DC to 300 KHz
System operating voltage range	110v system: 90VAC to 130VAC 220V system: 200VAC to 270VAC	12VDC / 12VAC typical
Chip voltage supply (VCC)	1.8V to 3.6VDC	1.8V to 3.6VDC
Voltage applied to any pin	-0.3V to Vcc +0.3V	-0.3V to Vcc +0.3V
Prebaking requirement before reflow	None	None
Chip Packaging	Tape and Reel (3,000pcs)	Tape and Reel (3,000pcs)

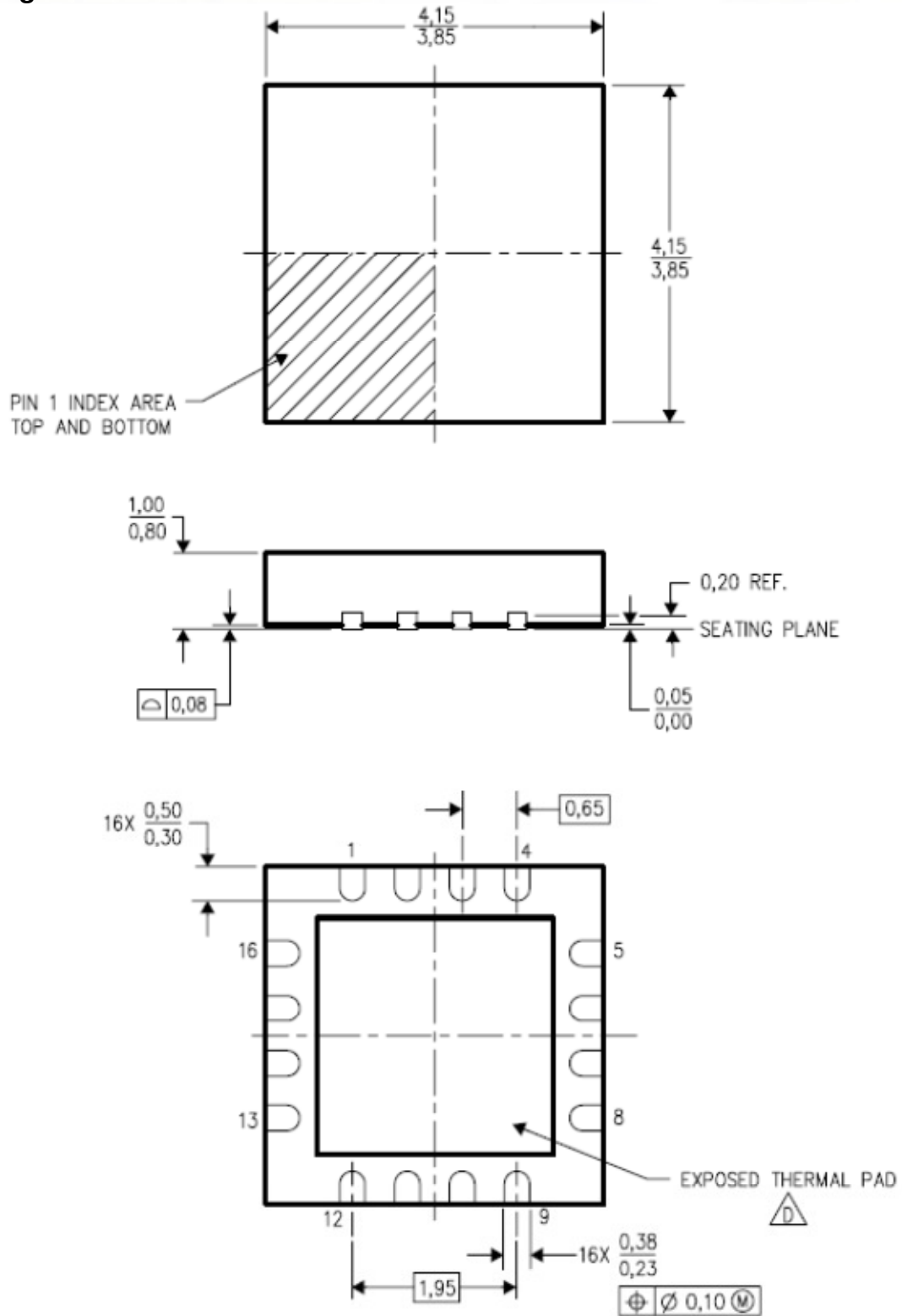
DISCLAIMER: Specification subject to change at any time without notice

¹ See transformer /dimmer compatibility specification for further details

² Active temperature protection adapts the operating power of the lamp to suit the ambient environment



Package definition: QFN-16



Tape and reel information

